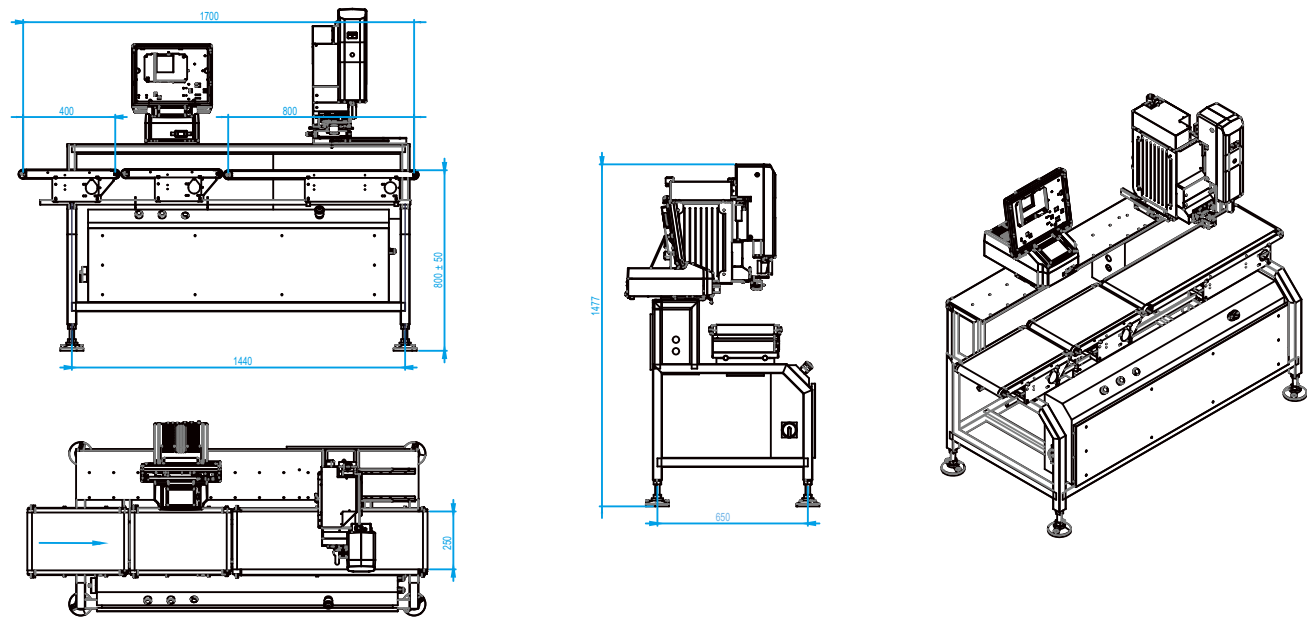


Dimensions



Specifications

Conveyor

Weighing <small>*Unit varies by country</small>	Interval type	Single-interval
	Capacity	Max 3kg
	Scale interval	e=1g
	Weighing range	20g-3kg
	Conveyor capacity	Max 3kg
Maximum Package Size		W: 390mm/15.4inches H: 150mm/5.9inches D:230mm/9.1inches
Speed		Max. 30 packages/min

Thermal printer

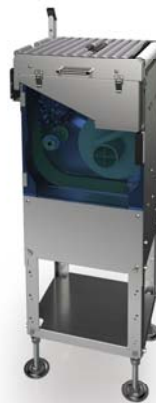
Label Type		Linerless		Die-cut	
Label Size	Automatic application	Width	44-78mm/1.73-3.07inches	40-80mm/1.57-3.15inches	28-105mm/1.10-4.13inches
		Length	28-105mm/1.10-4.13inches	28-105mm/1.10-4.13inches	28-105mm/1.10-4.13inches
	Manual application	Width	44-78mm/1.73-3.07inches	40-80mm/1.57-3.15inches	20-500mm/0.79-19.69inches*
		Length	20-500mm/0.79-19.69inches*	20-150mm/0.79-5.91inches	*Maximum printing length is 300mm/11.8inches
Labeling angle		0 or 90 or 180 or 270 degree			
Dot density		12dot/mm(300dpi)			
Font		True type font			

Operation Console

Display Panel	TFT LCD color(15inches)touch panel
Memory for programmable files	32GB

General

Power source and power consumption	230V;1φ;50/60Hz;0.75kW
Net weight	Approx.135kg
Operation humidity	90%RH(max.) with no condensation



Option · Auto BP LL Labeler



LI-5600C

Automatic weigh-label system



*Specifications are subject to change without prior notice.

Shanghai Teraoka Electronic co.,Ltd

ADD:Ting Lin Industry Development Zone,

Jin Shan County, Shanghai 201505 China

TEL:+86-21-64085151

FAX:+86-21-34612050

B1712CDXX

Searching for a New Balance



A convenient and complete solution for a wide range of applications

The LI-5600C maximizes efficiency in the pre-packing operation and has a compact and space saving design. Easy to be combined into existing equipment in the pre-packing area.



LI-5600C

POP labeler provide more efficient inline operations



- ▶ Tap blow applicator provides exceptional labelling accuracy
- ▶ In-motion labelling provides a seamless production line
- ▶ Can easily be integrated with a variety of wrapping machines and function as one system



PW-5600

Fast, accurate and flexible labeling



A newly designed 360° rotating labeler arm

A newly designed 360° rotating labeler arm offers automatic label placement on packages even with linerless labels.



User - friendly operation



15" full color touch screen

Large color touch screen provides various functions to simplify operation, such as easy PLU searching, convenient print viewing and free key layouts to increase speed and efficiency.



Flexible linerless labels with auto-cutting (Actual size)